



TUNING FORK UNIT

SF-2012 New Product

Applications

• Consumer Mobile Equipment

Features

• Small / Low Profile (2.0×1.2×0.6) • Ceramic Package • Pb Free , Reflow Compatible

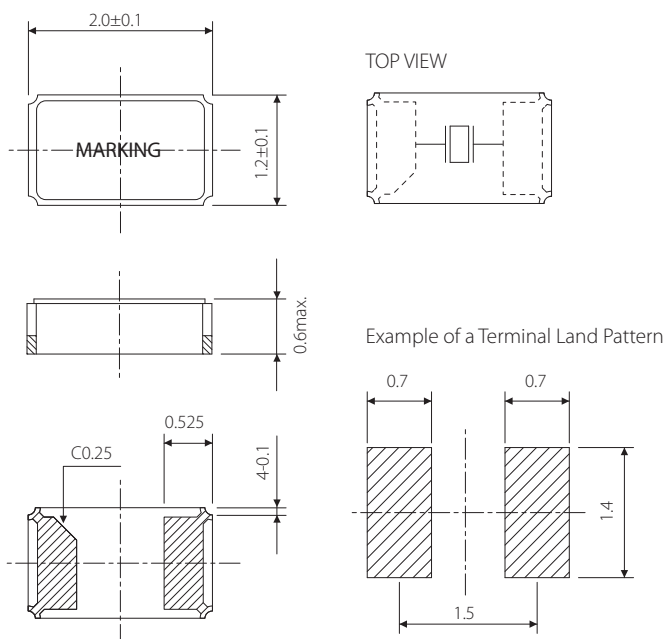
Specifications



Model	SF-2012
Nominal frequency range	32.768 kHz
Storage temperature range	-40~+85°C
Operating temperature range	-40~+85°C
Frequency tolerance (at +25°C)	$\pm 20 \times 10^{-6}$
Load capacitance	12.5pF
Equivalent series resistance	90 kΩ Max.
Shunt capacitance	1.5 pF Typ.
Motional capacitance	6.0 ff Typ.
Turnover Temperature	+25°C \pm 5°C
Parabolic Coefficient	-0.04 ppm / °C ² Max.
Level of drive	0.1 μ W (0.5 μ W Max.)
Aging	\pm 3ppm / Year

Package quantity: 3,000pcs max./Reel.

Outline and Dimensions [unit:mm]



Maximum marking length	Marking
line1	
5	Laser
ex.)	S925A