

VOLTAGE CONTROLLED CRYSTAL OSCILLATOR VCX95

Applications

- Set-top Box / MPEG / ADSL / Frequency Transmission

Features

- Dimensions (5.0×3.2×1.1)
- Ceramic SMD Package
- Seam sealed
- Low current consumption and CMOS Output
- Wide pulling range

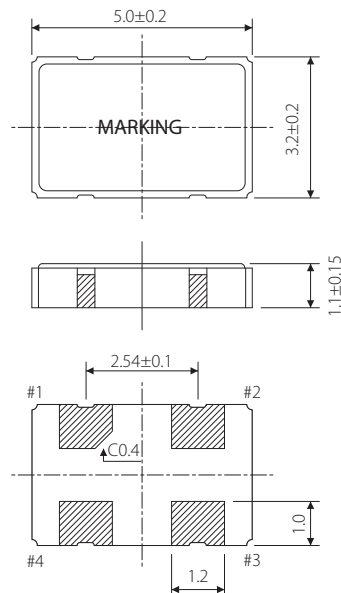
Specifications



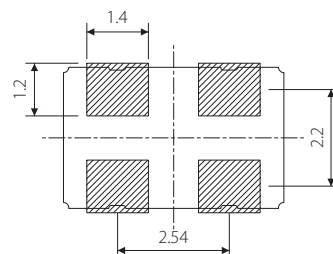
Model		VCX95	
Frequency range		1.500~61.440 MHz	
Nominal frequency		27.000 MHz	
Storage temperature range		-40~ +85°C	
Operating temperature range		-20~+70°C	
Frequency stability		$\pm 30 \times 10^{-6}$, $\pm 50 \times 10^{-6}$	
Power supply voltage (Vdd)		+3.3V DC $\pm 10\%$	+5.0V DC $\pm 10\%$
External control function		$\pm 100 \times 10^{-6}$ min. / +1.65V ± 1.5 V DC (< 30MHz)	$\pm 100 \times 10^{-6}$ min. / +2.5V ± 2.0 V DC
External control voltage		$\pm 70 \times 10^{-6}$ min. / +1.65V ± 1.5 V DC (30MHz \leq)	
Current consumption		10 mA max. (F \leq 20MHz) 15 mA max. (20-30MHz) 20 mA max. (> 30MHz) 25 mA max. (> 40MHz)	15 mA max. (F \leq 20MHz) 20 mA max. (20-30MHz) 25 mA max. (> 30MHz) 30 mA max. (> 40MHz)
Output	Load	CMOS (15pF)	
	Level	V _{OL} :10%V _{DD} max. / V _{OH} : 90%V _{DD} min.	
	Rise & Fall time	6ns max. / 0.1V _{DD} - 0.9V _{DD}	
	Duty cycle	45% ~ 55% at 1/2V _{DD}	
Phase noise		-130 dBc / Hz typ. (at 1kHz)	

Package quantity: 1,000pcs max./Reel.

Outline and Dimensions [unit:mm]



Example of a Terminal Land Pattern



Terminal	Connection
#1	Vcont
#2	GND
#3	OUTPUT
#4	Vdd