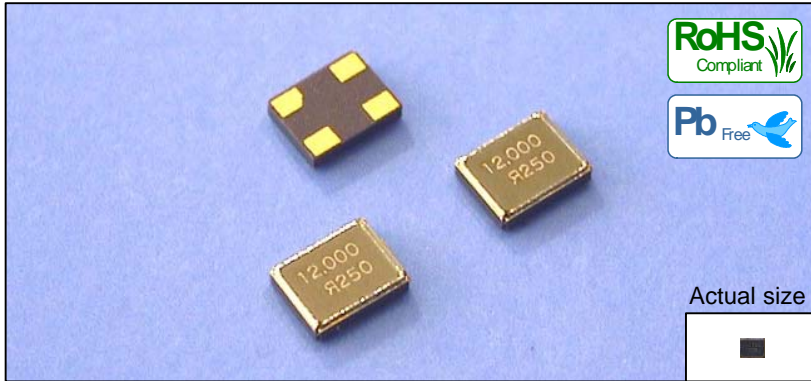


SURFACE MOUNT CRYSTAL FCX-04C

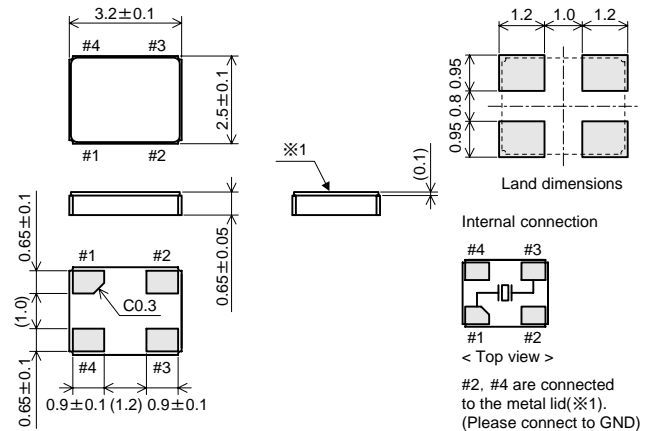


Features

- Compact and low in height design (3.2mm×2.5mm×0.7mm Max., Weight : 18mg).
- Accommodating 10 to 60MHz frequency.
- Wide frequency pulling range for VCXO.
- Accommodating high precision frequency and temperature characteristics.
- Lead-free soldering is available.
- Applications : Laptop PC, DSC, DVC, W-LAN, Bluetooth, Tuner module

Dimensions

Unit: mm



Specifications

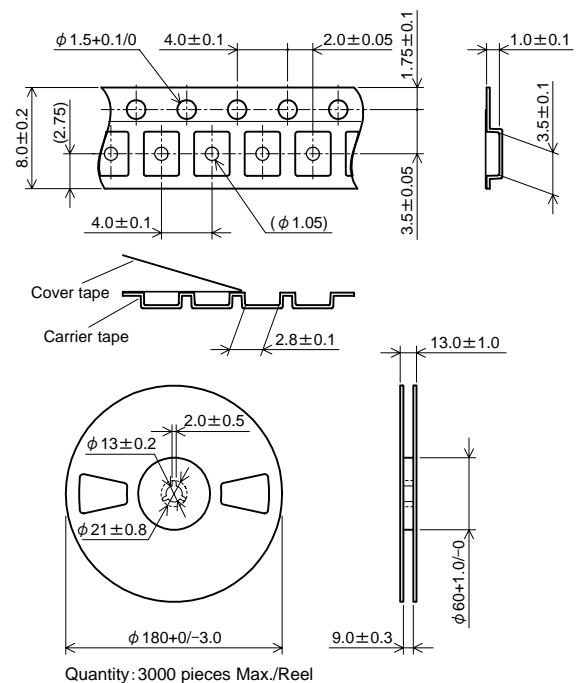
Item	Standard specifications			
Frequency range(MHz)	10.0 to 60.0			
Overtone order	Fundamental			
Frequency tolerance (ppm)(at 25°C)	±10, ±20, ±30, ±50, ±100			
Storage temperature range(°C)	-40 to +85			
Operating temperature range(°C)	0 to +50	-10 to +60	-20 to +70	-40 to +85
Frequency versus temperature characteristics(ppm) (Refer to 25°C)	±10 ±30 ±50 ±100	±15 ±30 ±50 ±100	±20 ±30 ±50 ±100	±30 ±50 ±100
Motional resistance (ESR)	As per below table			
Level of drive(μW)	200 Max.			
Load capacitance(pF)	8.0, 10.0, 12.0			

Frequency(MHz)	Motional resistance(ESR)(Ω)
10.0 to 16.0	200 Max.
16.0 to 30.0	100 Max.
30.0 to 60.0	50 Max.

- Please consult us for customized specifications.
- All specifications and markings subjected to change without notice.

Taping

Unit: mm



RIVER RIVER ELETec CORPORATION
URL <http://www.river-ele.co.jp>

Head Office : 2-1-1 Fujimigaoka Nirasaki Yamanashi Japan
Tokyo Office : 4-40-14 Nishishinjuku Shinjuku-ku Tokyo Japan
Utsunomiya Office : Phone 81-28-625-7181 Fax 81-28-625-7159
Osaka Office : Phone 81-6-6998-4888 Fax 81-6-6998-4899
Nagoya Office : Phone 81-52-776-9531 Fax 81-52-776-9532

Phone 81-551-22-1211 Fax 81-551-22-6645
Phone 81-3-3377-5444 Fax 81-3-3374-2865
River Electronics(Singapore)Pte.Ltd : Phone 65-6258-7874
(Shanghai Liaison Office) : Phone 86-21-64032210
Taiwan River Co.,Ltd. : Phone 886-2-8988-2811
Xi'an River Electronics Corporation : Phone 86-29-88697274

Fax 65-6258-7366
Fax 86-21-64037412
Fax 886-2-2983-4785
Fax 86-29-88635134