

## Features

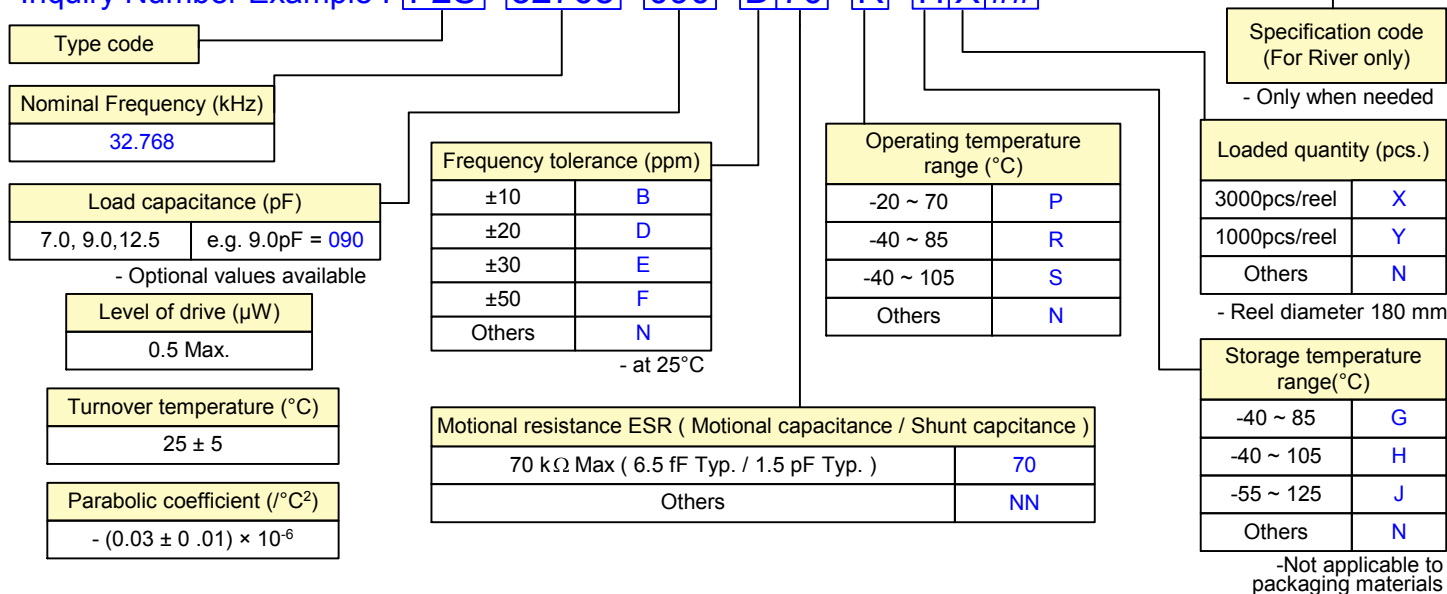
- Compact, thin and lightweight design.  
(3.2 mm × 1.5 mm × 0.8 mm Max., Weight : 10.6 mg)
- Ceramic package and metal lid sealed by electron beam.  
Wide operating temperature range. (-40 to 105 °C)  
High reliability.
- Lead-free reflow soldering is available.
- AEC-Q200 compliant spec available upon request.

## Applications

- Mobile phones, wireless modules, In-car devices.

## Specifications

Inquiry Number Example : **F2S** - **32768** - **090** - **D70** - **R** - **HX##**

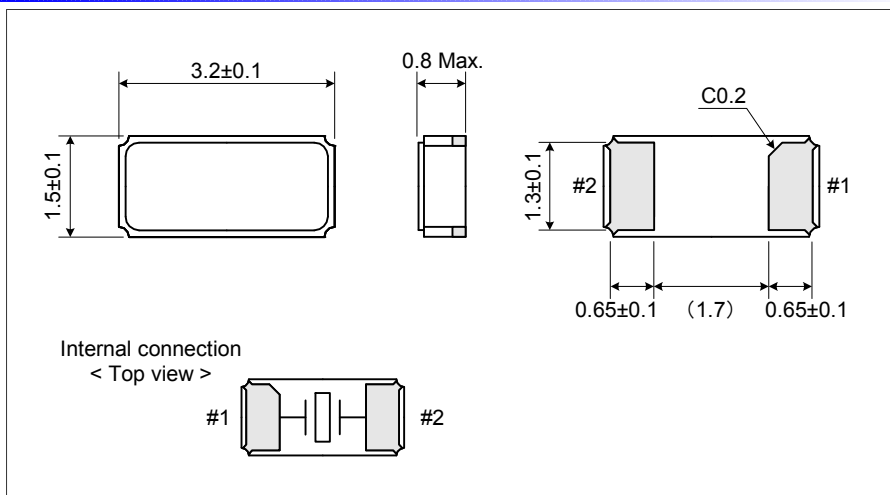


● Blue letters for Inquiry Number, black letters for specifications.

● Other specifications can be available. Please call our sales dept. or contact us via the inquiry form on our website with the Inquiry Number above.

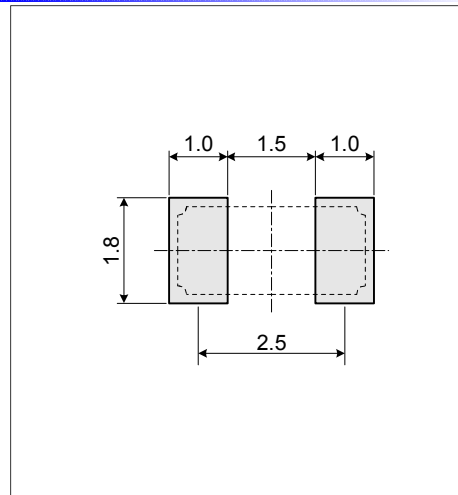
## Dimensions

Unit : mm



## Land dimensions

Unit : mm



RIVER ELETEC CORPORATION

URL <http://www.river-ele.co.jp>

### Headquarters in Japan(Yamanashi)

TEL 81-551-22-1211 FAX 81-551-22-6645

### Domestic Sales Department

Tokyo Office TEL 81-3-3377-5444 FAX 81-3-3374-2865  
Osaka Office TEL 81-6-6998-4888 FAX 81-6-6998-4899

### Overseas Sales Department

River Electronics Pte.Ltd.(Singapore) TEL 65-6258-7874 FAX 65-6258-7366  
Taiwan River Co.,Ltd.(Chinese Taipei) TEL 886-2-8988-2811 FAX 886-2-2983-4785  
Xi'an River Electronics Corp.(China) TEL 86-755-86528590 FAX 86-755-86528590